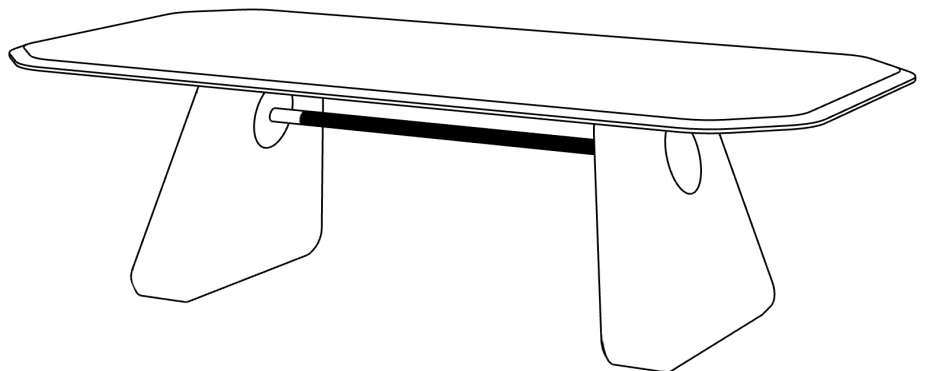


Henge

Dining Table



Henge Dining Table

Finishes

Standard Marble Finishes

Carrara CD
Arabescato Orobico
Nero Marquina
Dark Emperador
Travertino Filled
Travertino Open Pore

Metal Finishes

Satin Aluminium
Satin Brass
Satin Bronze
Satin Champagne

Metal Lacquered

Off White
Cenere
Jet Black
Blue Cenere

Lacquered Finishes

Lacquered High Gloss
Lacquered Matt

Premium Marble Finishes

Verde Alpi
Calacatta
Rosso Levanto

180x110x74 cm
210x120x74 cm
240x130x74 cm

71"x 43"x 29"
82"x 47"x 29"
94"x 51"x 29"



POSSIBLE CUSTOMISATION

Width
Depth
Height

Any RAL lacquered finishes

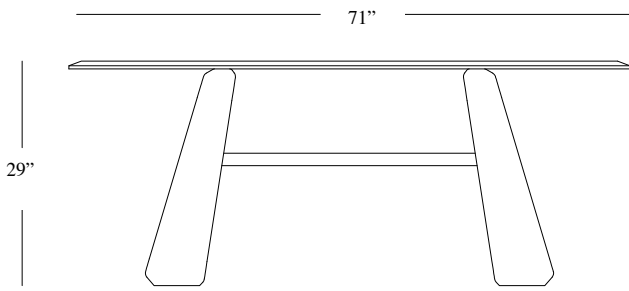
Any RAL metal finishes

Any Marble to be sourced

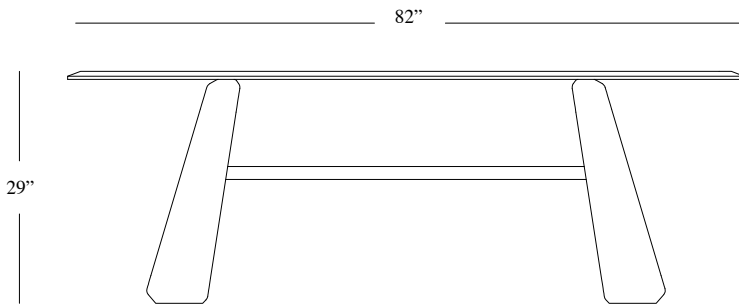
Machine cut, hand finished wood pieces with heavy lacquer in matte and high gloss options. Two base pieces are held together by a 35mm tube with grooved detailing as well as heavy duty steel support plate. 20mm jet cut stone top with chamfered detailing. Felt glides. Base comes assembled. Top to be fixed on site.

Dimensions

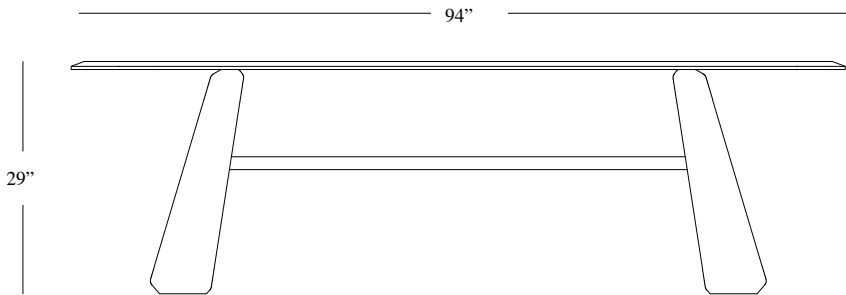
Cod. HINGD180

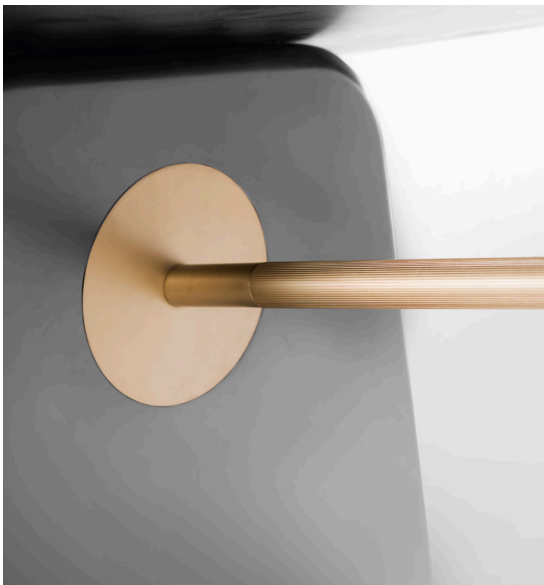


Cod. HINGD210



Cod. HINGD240





Standard Marble Finishes

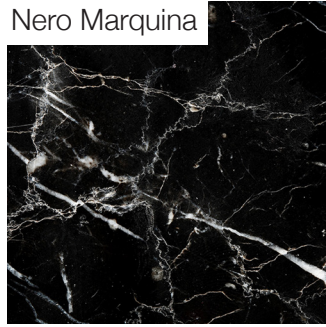
Carrara CD



Arabescato Orobico



Nero Marquina



Dark Emperador



Travertino Filled

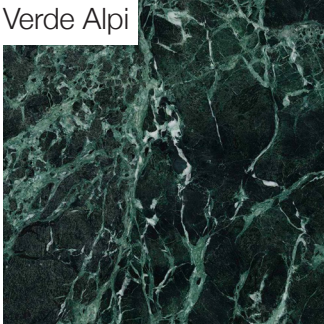


Travertino Open Pore

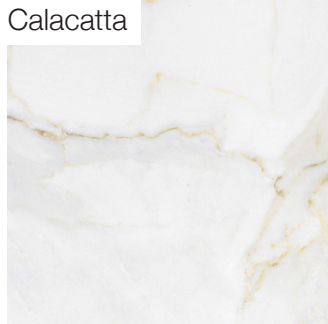


Premium Marble Finishes

Verde Alpi



Calacatta



Rosso Levanto

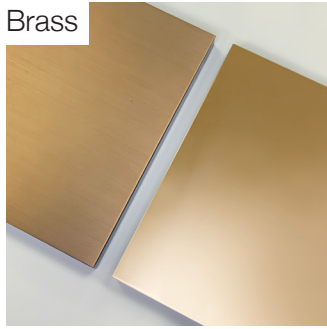


Metal: Satin / Polished

Aluminium



Brass



Bronze



Champagne



Metal Lacquered

Off White



Cenere



Jet Black



Blue Cenere



Lacquered

Maize



Strawberry Red



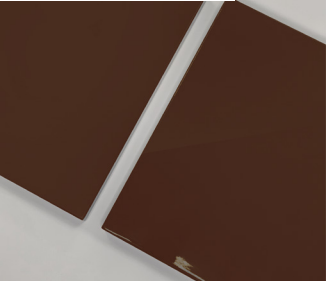
Red Violet



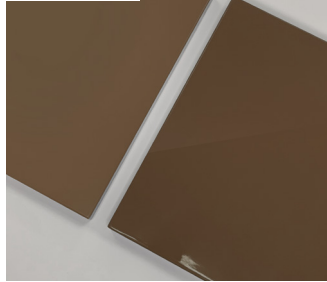
Pearl Orange



Mahogany Brown



Moor Oak



Sabbia



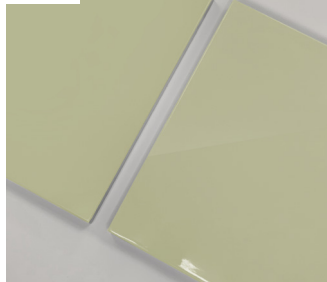
Tortora



Window Grey



Tiglio



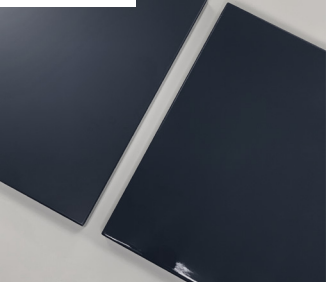
Velvet Green



Bottle Green



Steel Blue



Azure Blue



Bird Blue Grey



Cenere



Blue Cenere



Hazy Blue



Off White



Nude

